



Villa Vuoto

Gestured Form and Activated Space

Osher at CMU 2024.04.17

A photograph of a complex wooden roof structure under construction, featuring curved beams and a lattice of smaller wooden members. The scene is lit from above, creating strong shadows and highlights on the wood.

Addition to Villa Vuoto & Tensiles to Gaudí

Part 1: Plant-Based Architecture

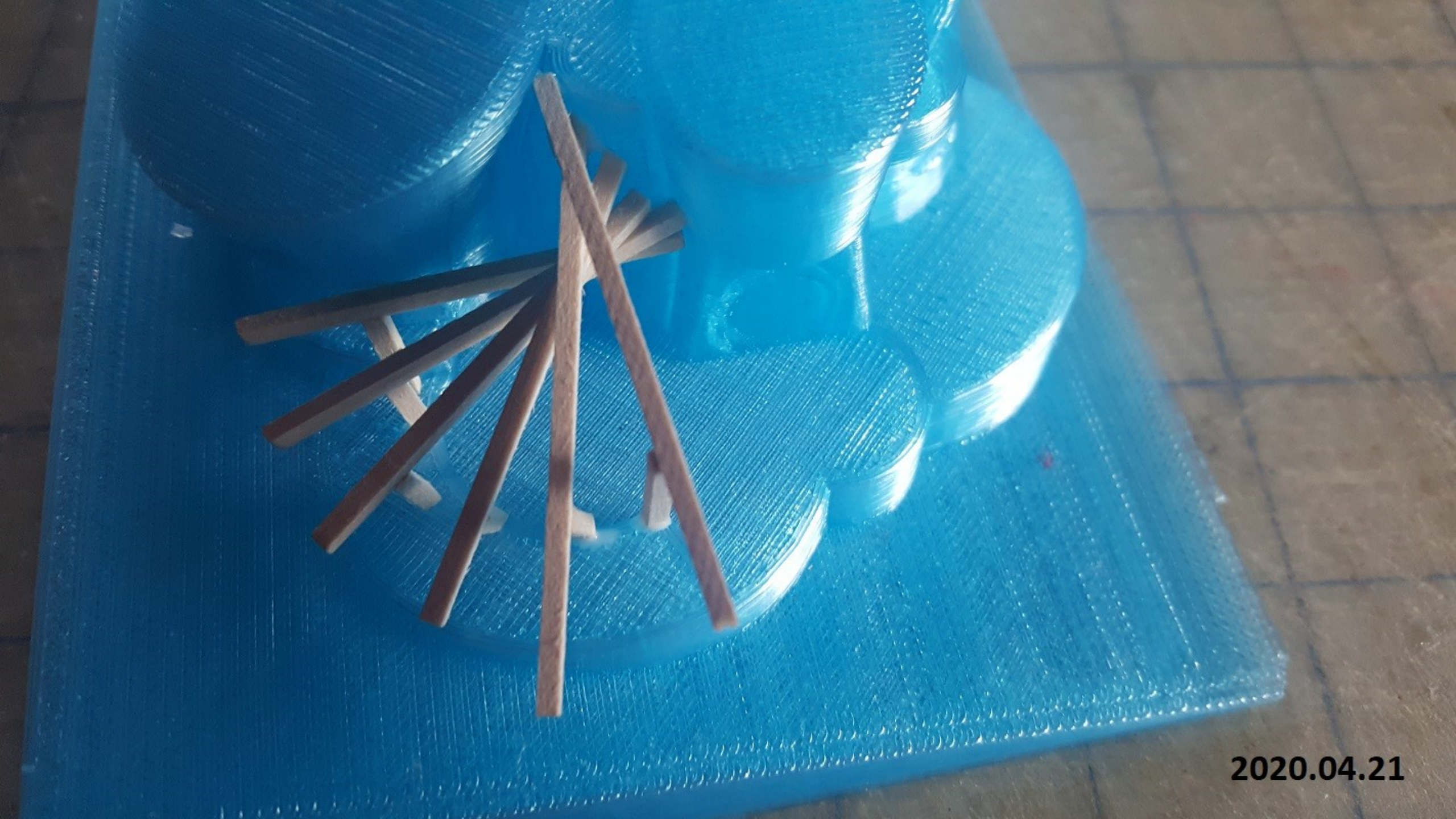




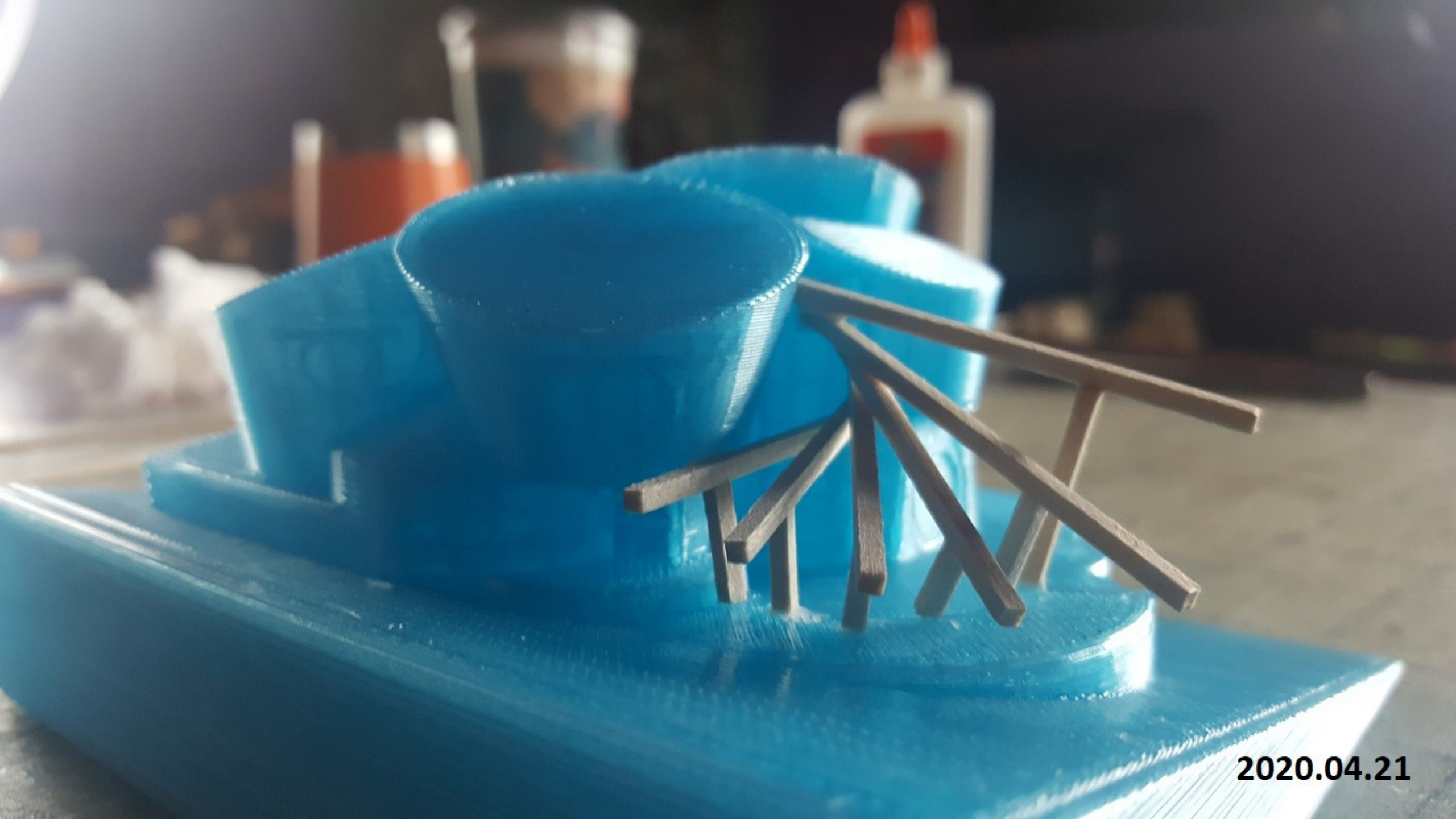
2020.11.22

100 ft

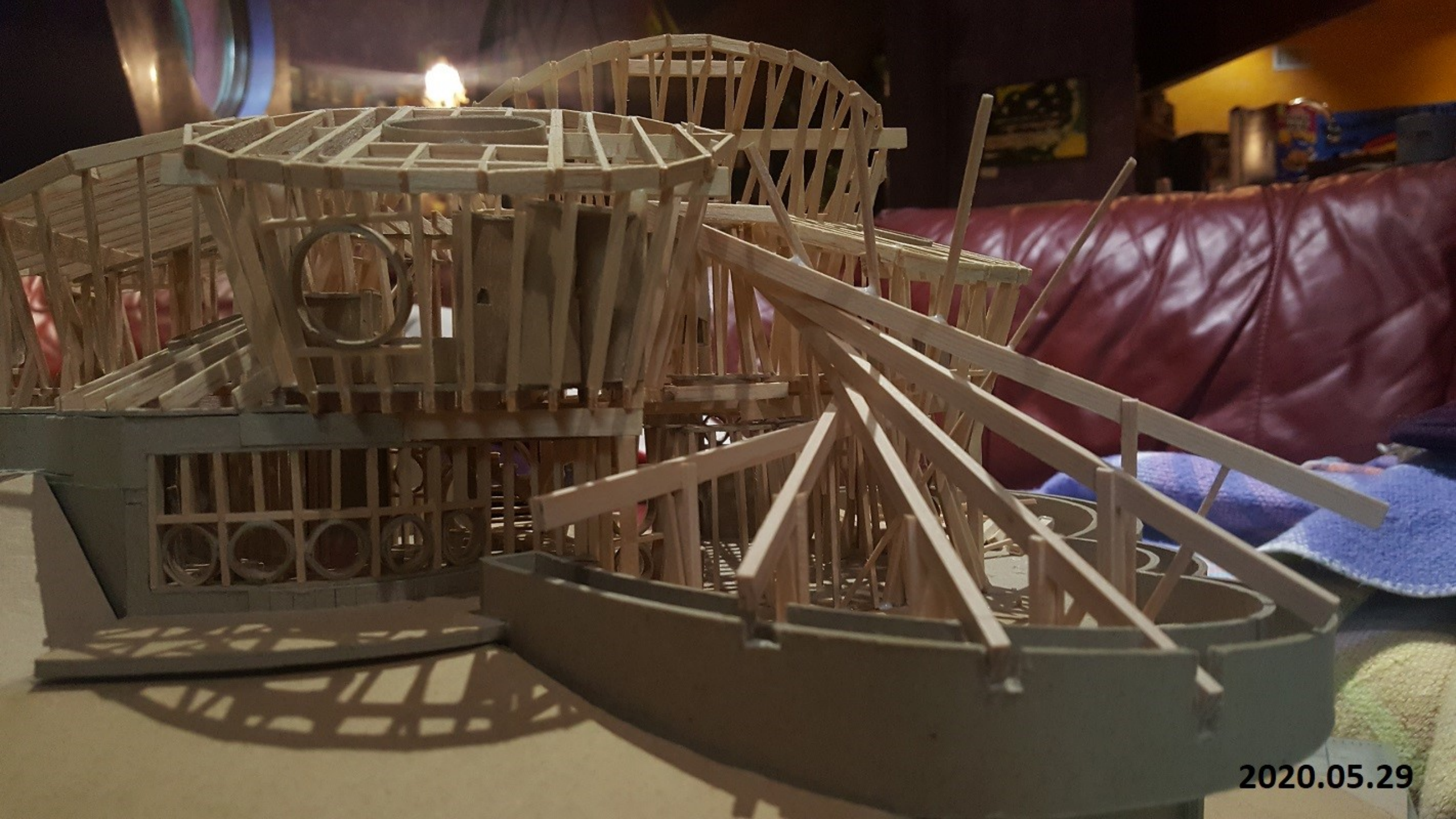




2020.04.21



2020.04.21



2020.05.29



2020.05.14



2020.06.22



2020.06.22



2020.11.09



2020.11.19



2020.11.21



2020.11.22





2020.10



2010-09-01

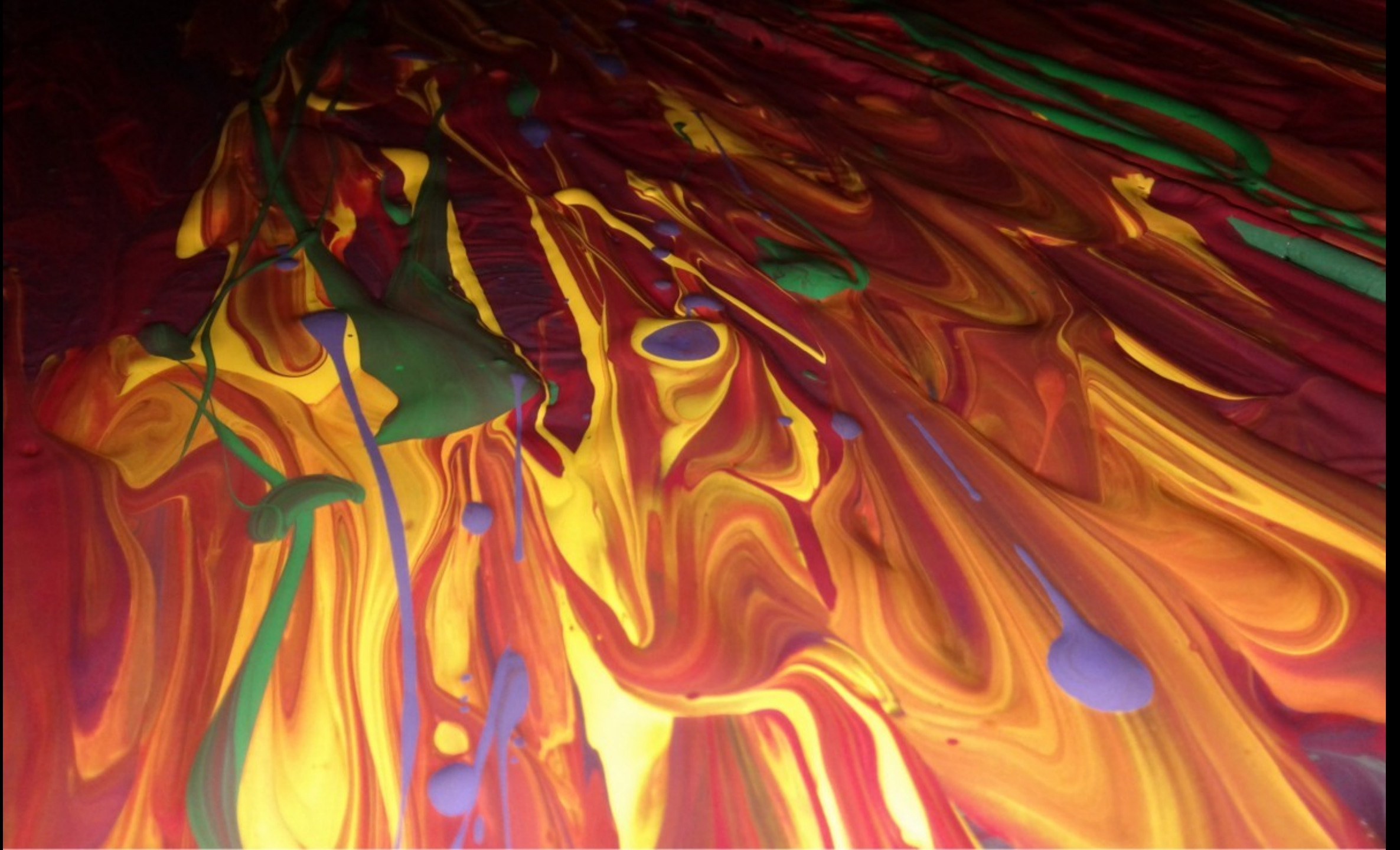








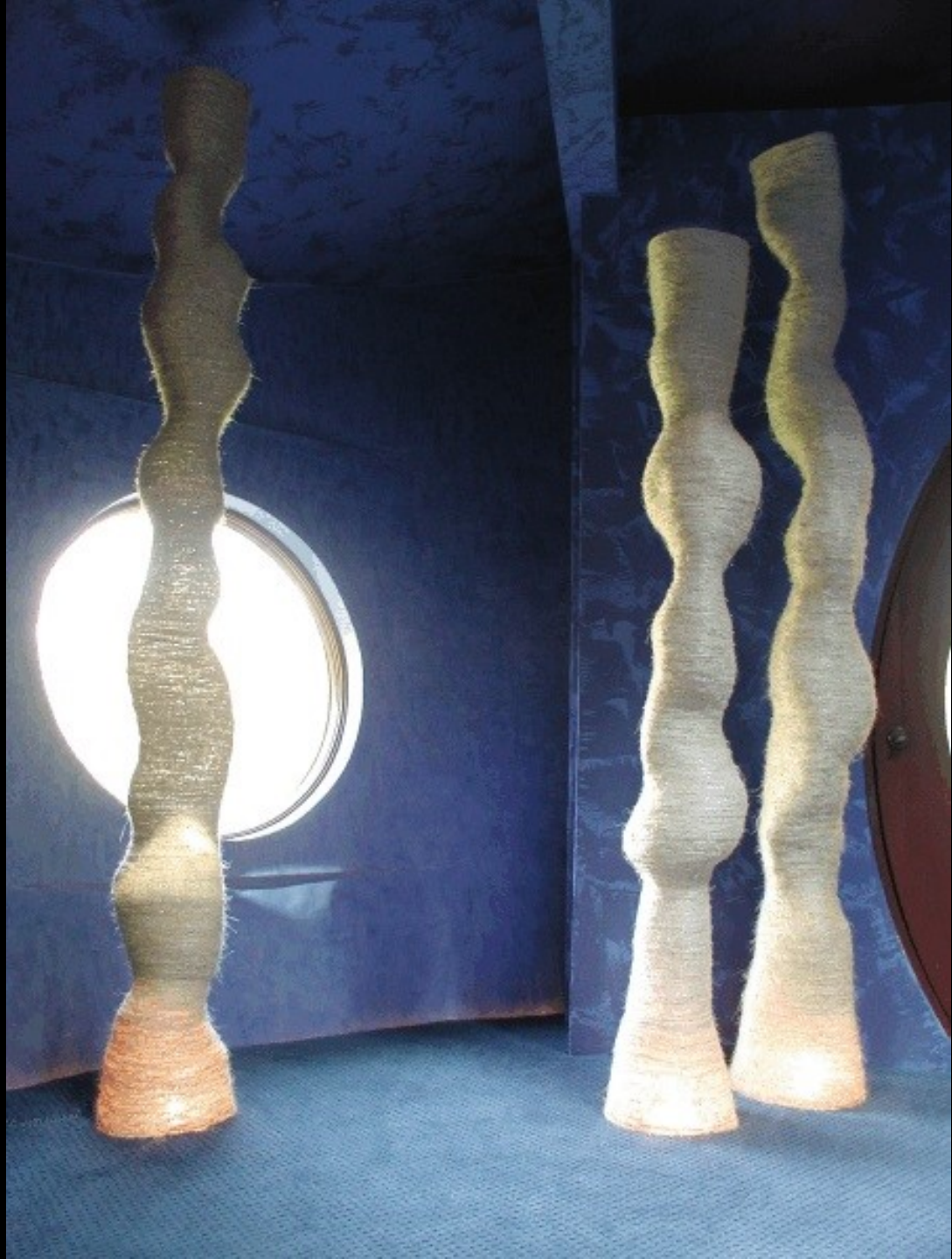








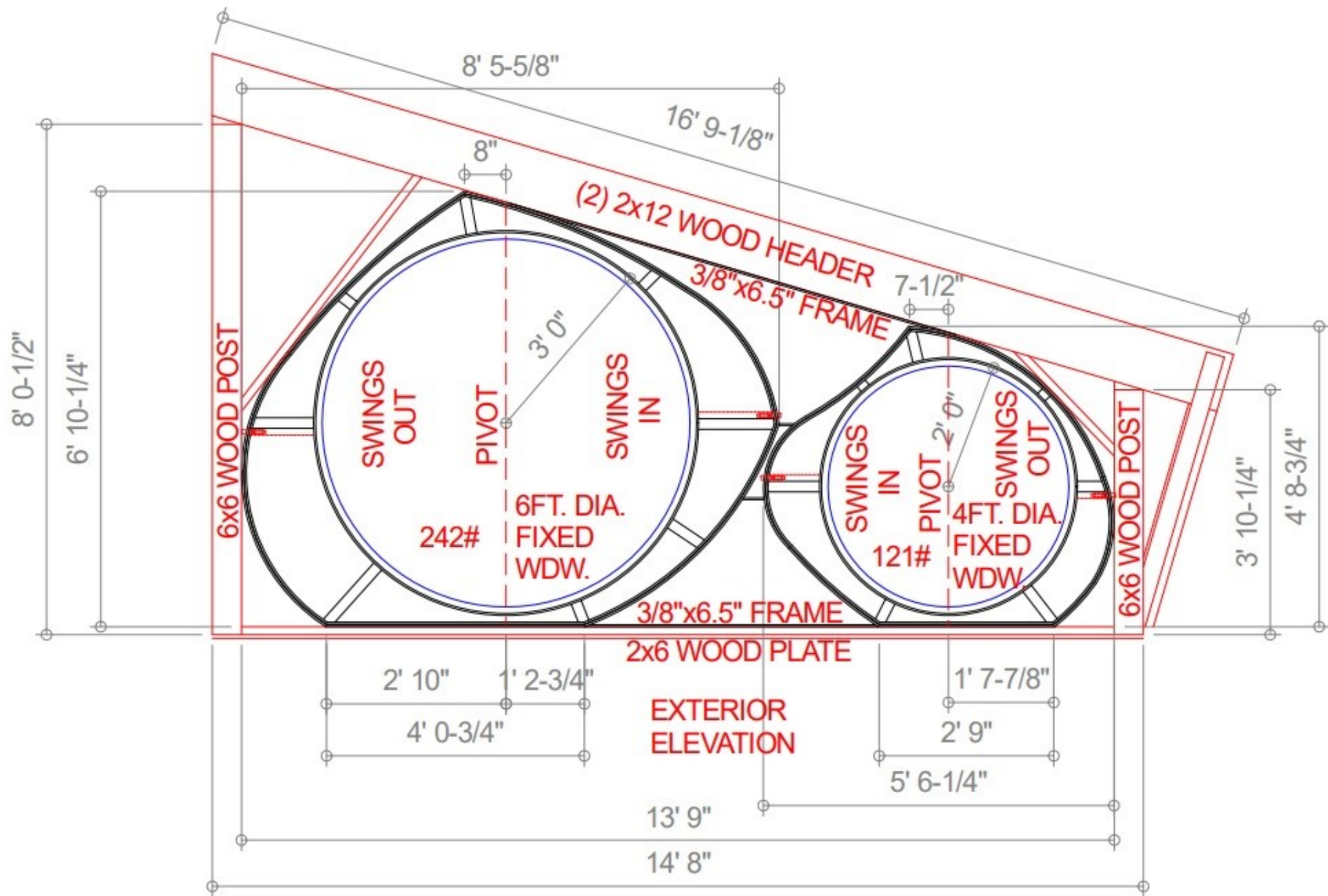


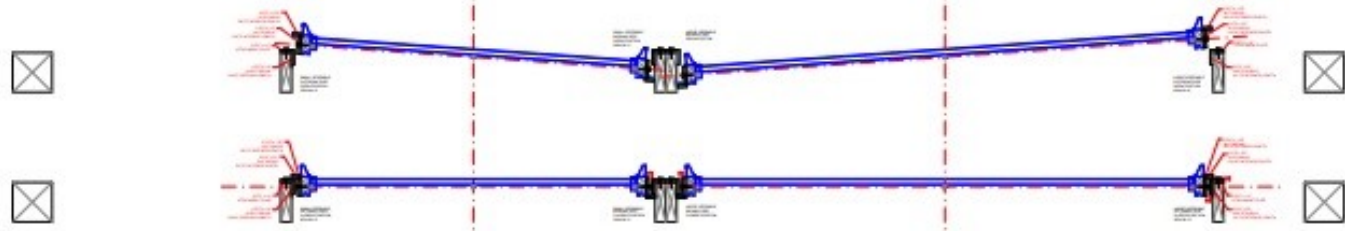






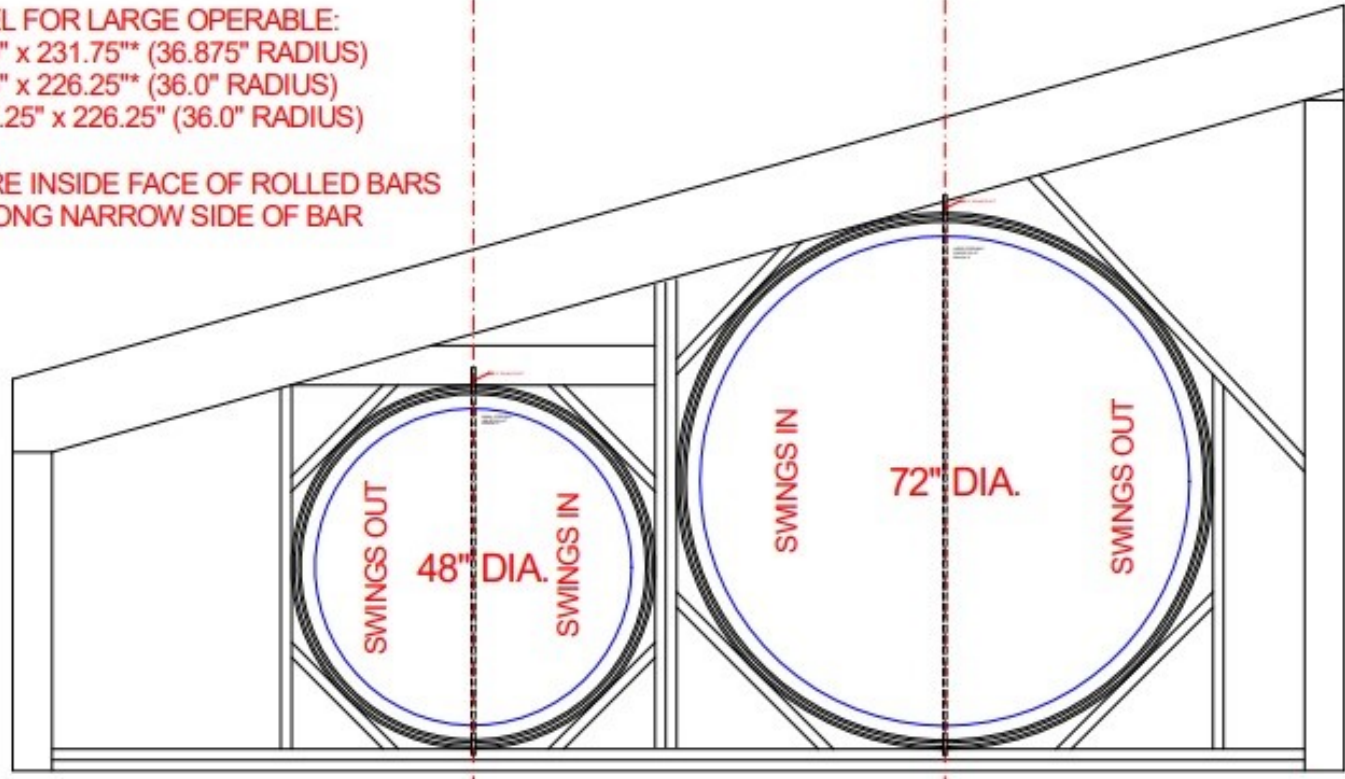






ROLLED STEEL FOR LARGE OPERABLE:
 (1) 0.375" x 2.0" x 231.75"^{**} (36.875" RADIUS)
 (1) 0.375" x 2.5" x 226.25"^{**} (36.0" RADIUS)
 (1) 0.375"^{***} x 1.25" x 226.25" (36.0" RADIUS)

* LENGTHS ARE INSIDE FACE OF ROLLED BARS
 ** ROLLED ALONG NARROW SIDE OF BAR



ROLLED STEEL FOR SMALL OPERABLE:
 (2) 0.375" x 2.0" x 156.25"^{**} (24.875" RADIUS)
 (2) 0.375" x 2.5" x 150.75"^{**} (24.0" RADIUS)
 (2) 0.375"^{***} x 1.25" x 150.75" (24.0" RADIUS)

* LENGTHS ARE INSIDE FACE OF ROLLED BARS
 ** ROLLED ALONG NARROW SIDE OF BAR

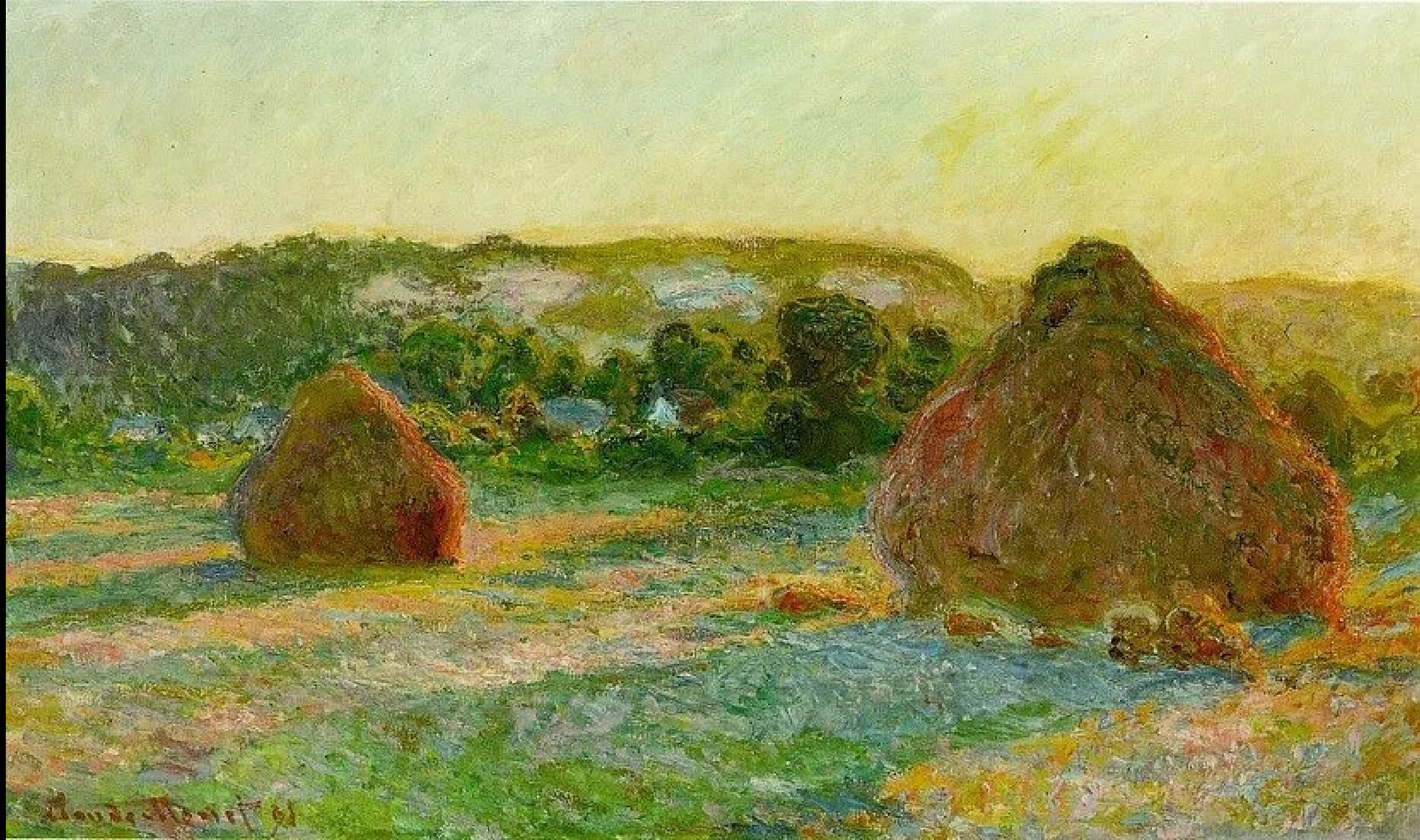














De Maest 93



Claude Monet 91





