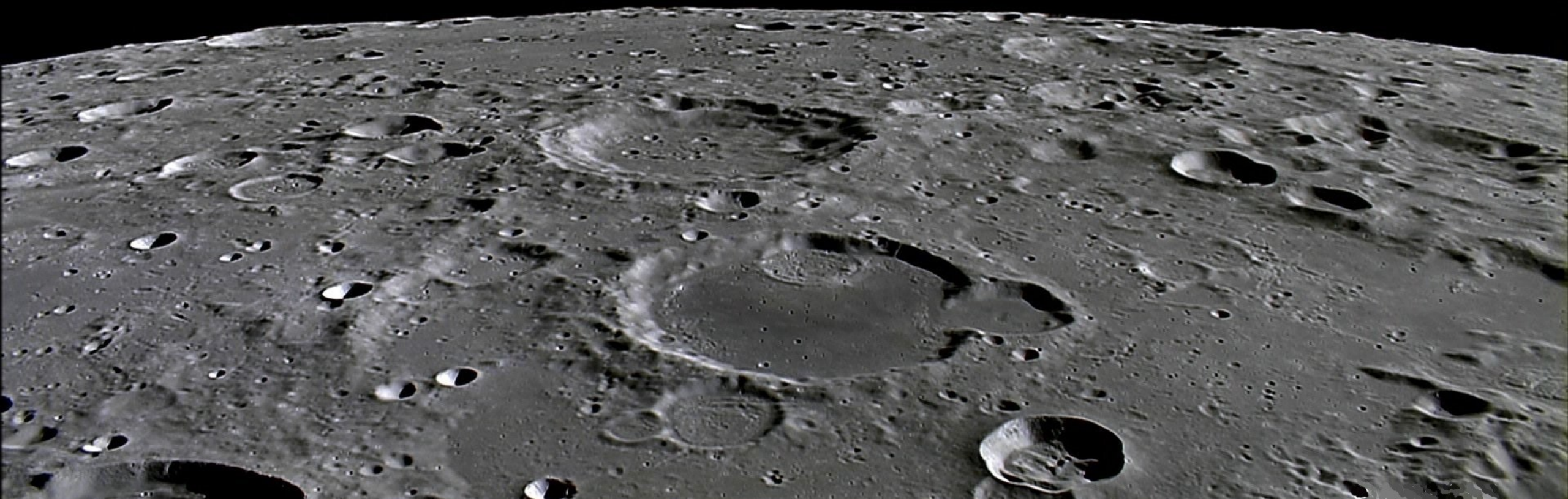


Future of Architecture?

2024 Round Table Forum



Future of Architecture?

2024 Round Table Forum

KITCHEN & BATH
CONCEPTS

DESIGN | CASEWORK

Rex GLASS

TILE & DESIGNS

ESTABLISHED 1979

HABITAT Hardware

Don's Appliances

Exceptional Brands and Service Since 1971































Future of Architecture?

2024 Round Table Forum

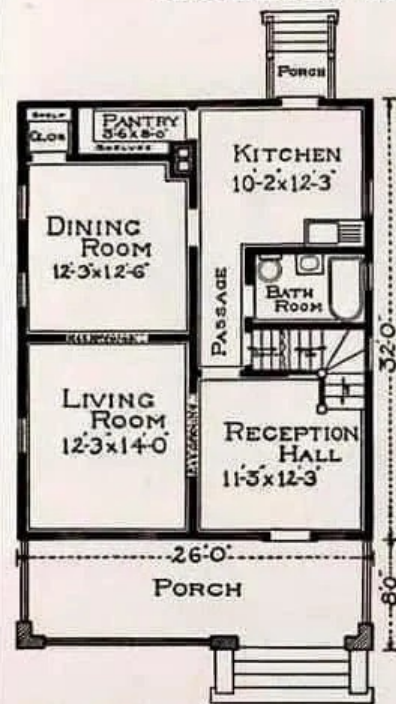




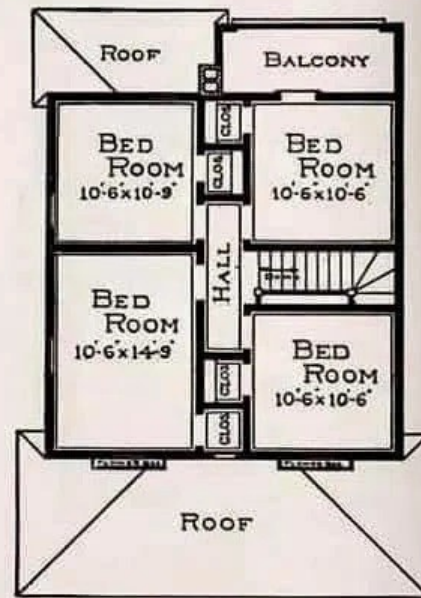


MODERN HOME No. 264B179

\$938⁰⁰



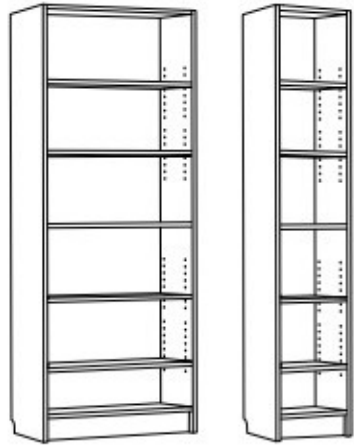
—FIRST FLOOR PLAN—



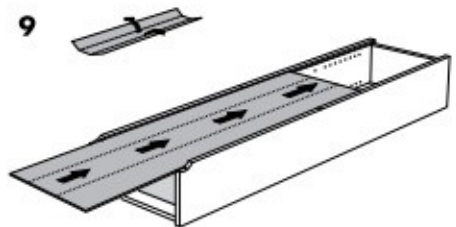
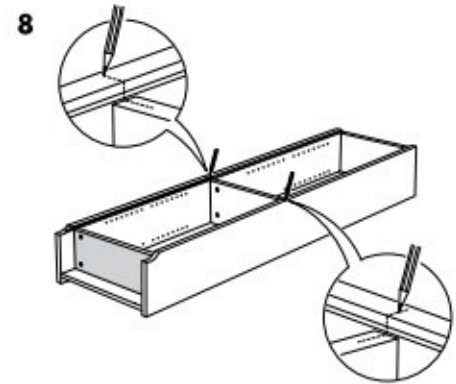
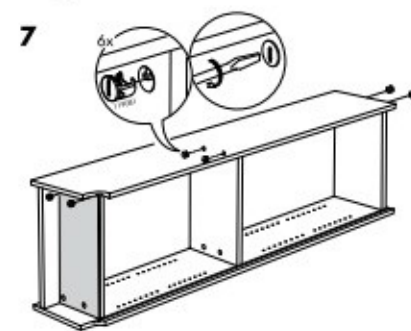
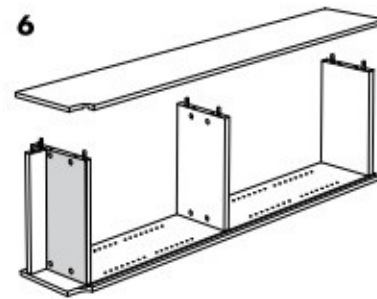
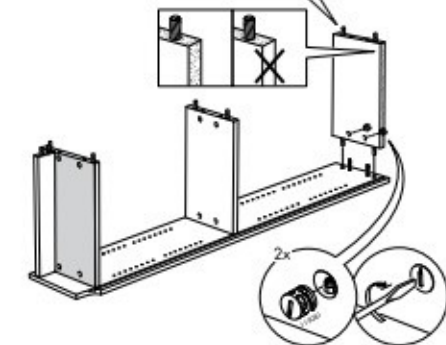
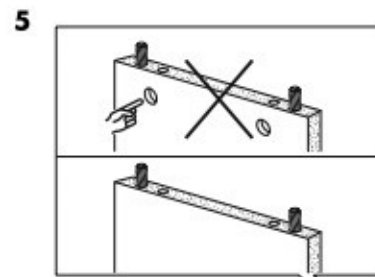
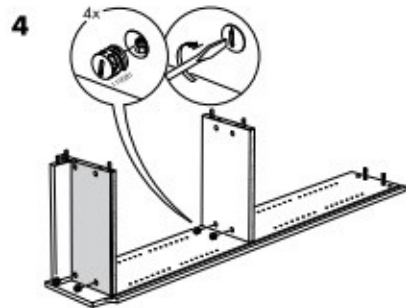
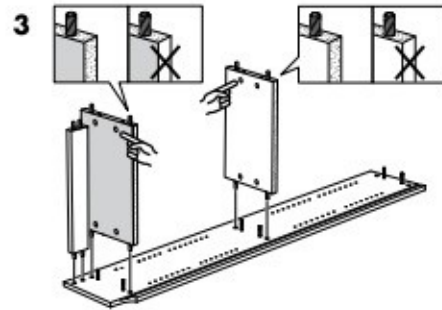
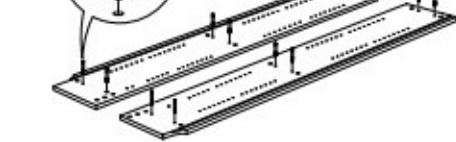
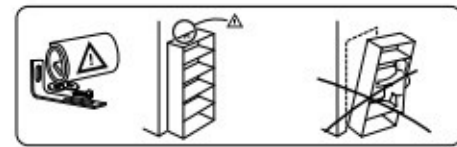
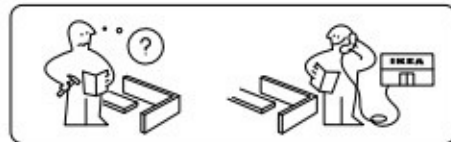
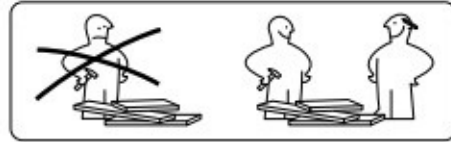
—SECOND FLOOR PLAN—

\$1.00 buys the complete plans, specifications and bill of material for this house. \$938.00 pays for all of the material, with the exception of cement, brick and plaster, for this house, when purchased from us.

BILLY



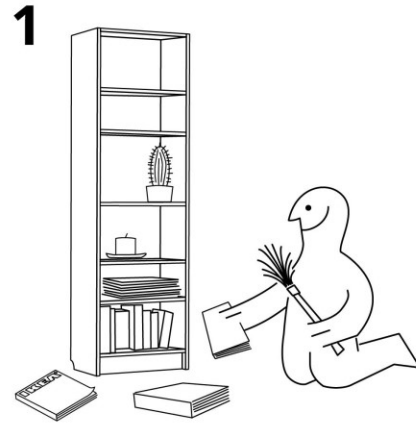
IKEA
Designed in Sweden
Quality of Sweden



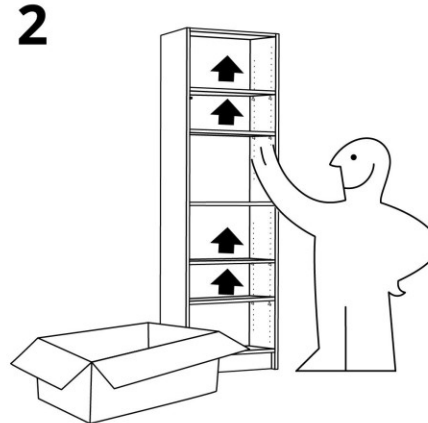
BILLY DISASSEMBLY INSTRUCTIONS



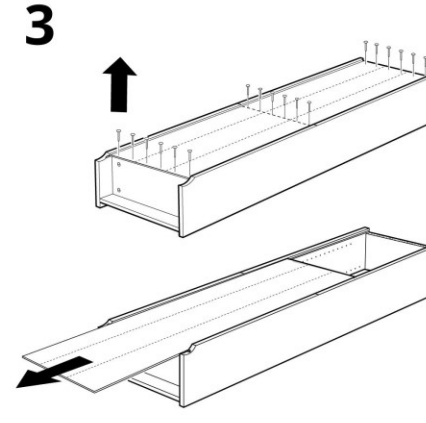
IKEA has created a number of Disassembly Instructions to help customers extend the lifecycle of their furniture. This easy-to-use guide will help customers take apart one of their favourite IKEA furniture items, BILLY, so it can be re-built in its new home.



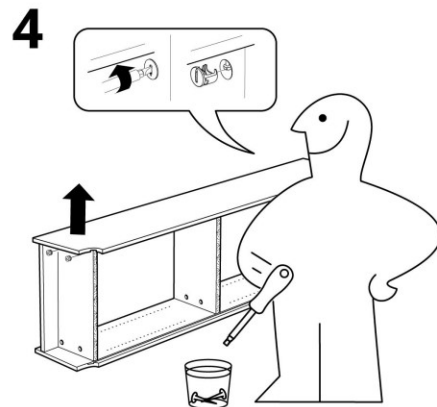
Remove books and other decorative items.



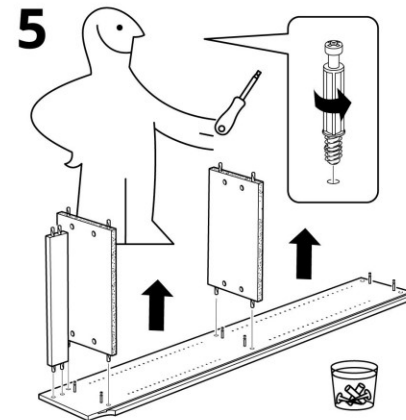
Remove shelves, shelf support pins and wall brackets.



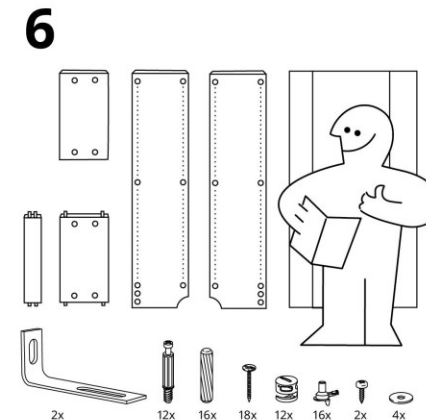
Place bookshelf on floor, remove pins on back board and slide backing off.



Place on side and remove screws.



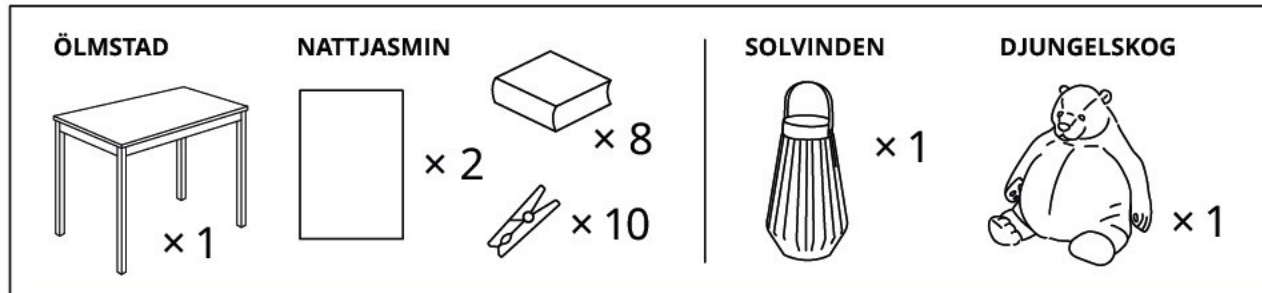
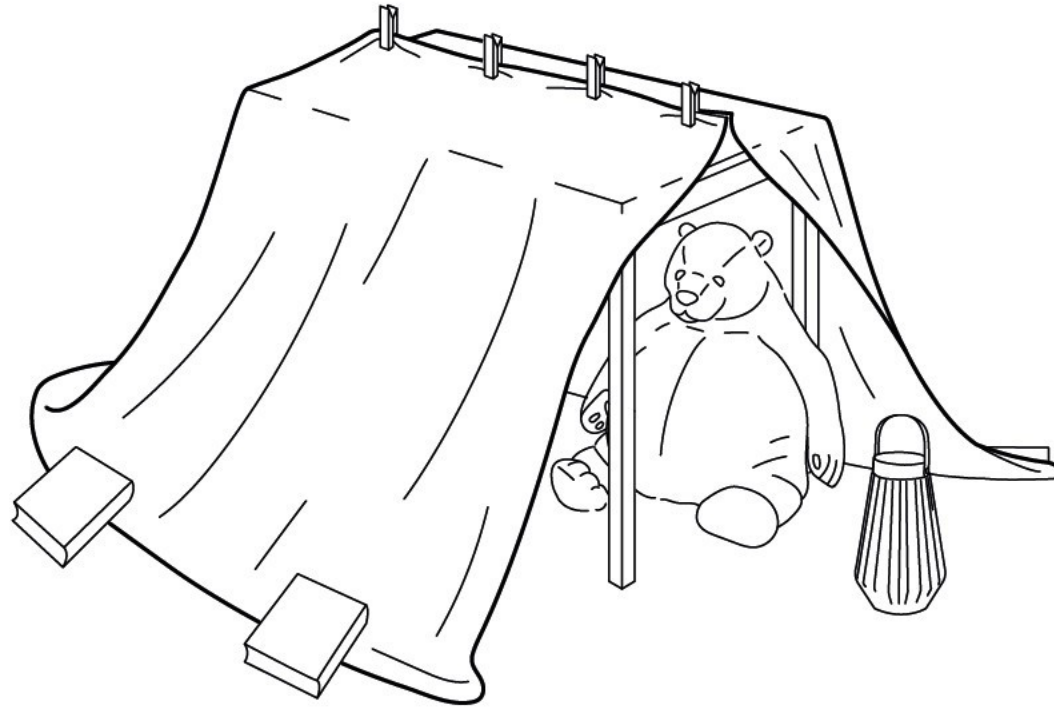
Remove shelves and remove screws.



Here are all the parts you should have for your disassembled BILLY.

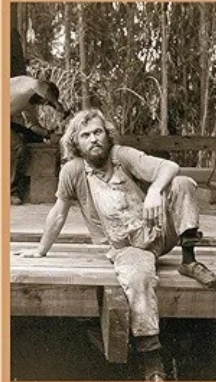
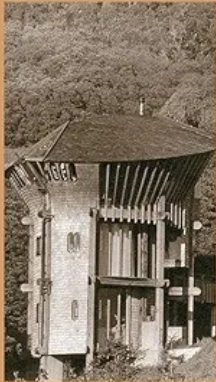
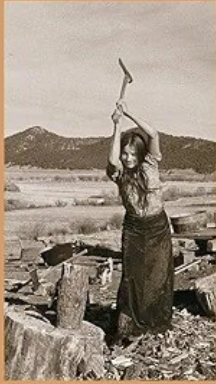
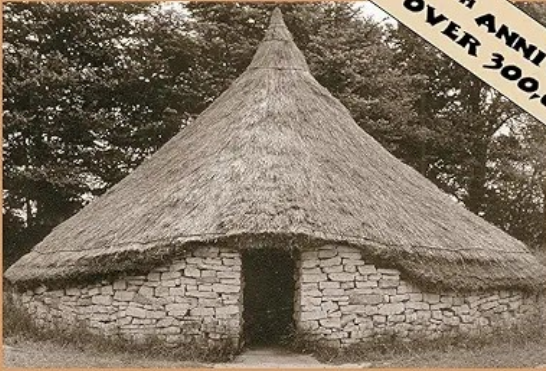
Note: If any screws or bolts are missing when you come to rebuild your bookshelf (or any other item), you can pick up free replacements from our Spare Parts Library. Simply visit Customer Returns once stores reopen.

HÖUSE



Make sure that the structure is safe. Do not leave children unattended.
The suggested examples are not official IKEA user guides for IKEA products.
If you can't find the products referred to in the instructions, use similar ones.

40TH ANNIVERSARY EDITION
OVER 300,000 COPIES SOLD



SHELTER
LLOYD KAHN · BOB EASTON

Bob Vila's This Old House

Companion
to the
award-winning
PBS-TV
series



Entertaining

MARTHA
STEWART



2005

You  **Tube**



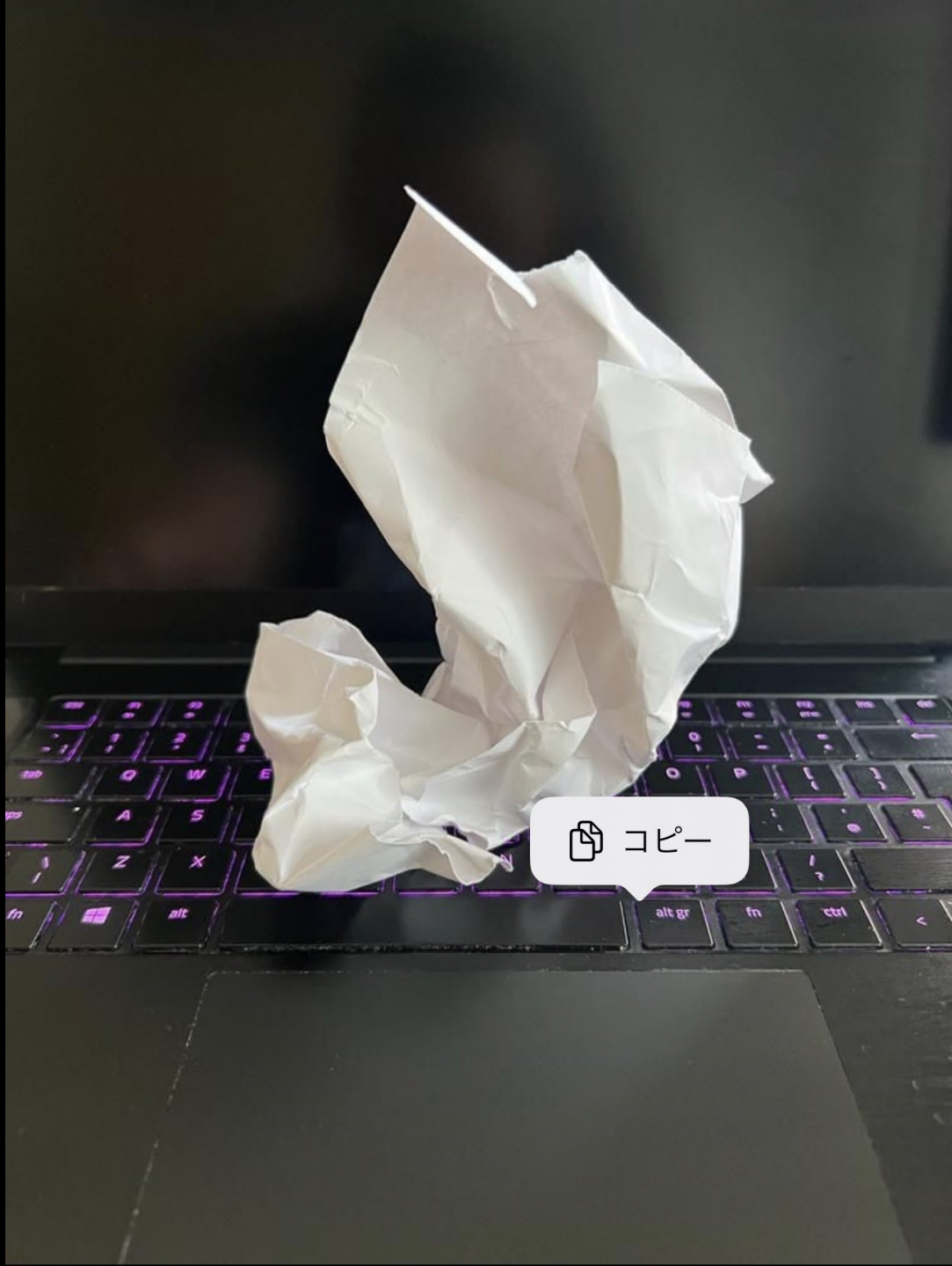
ChatGPT



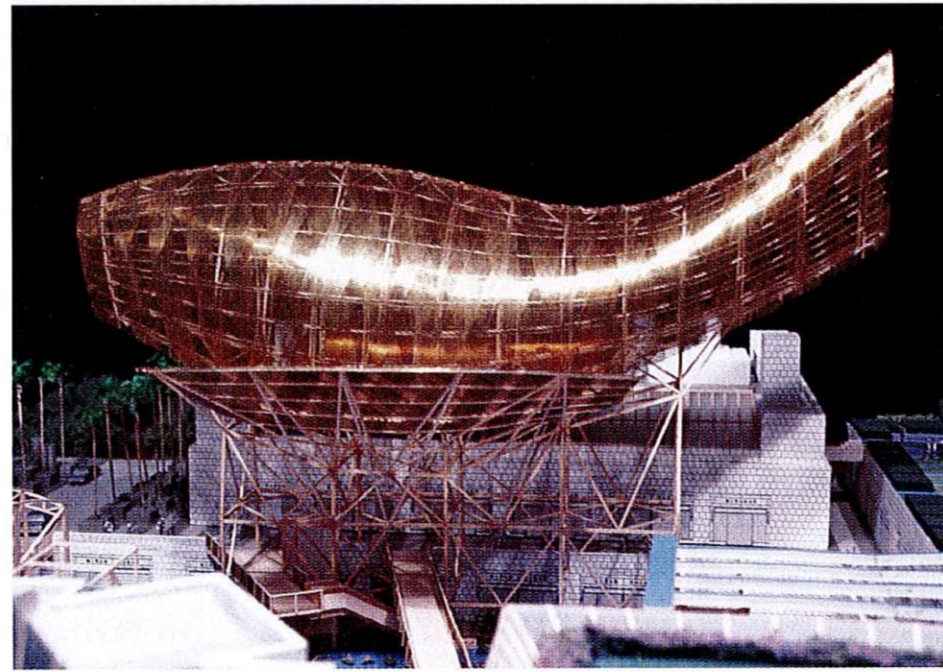
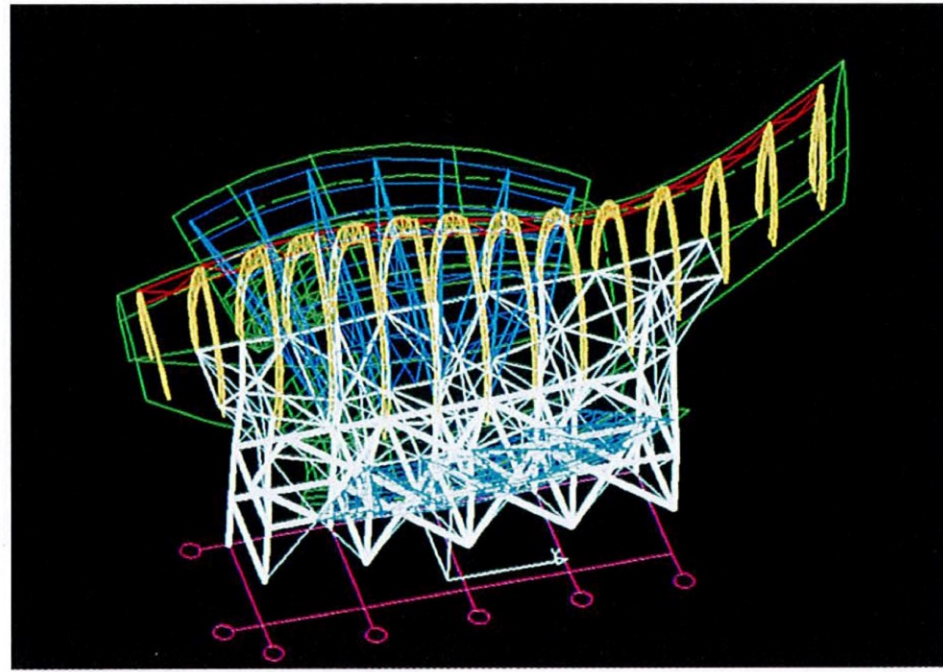
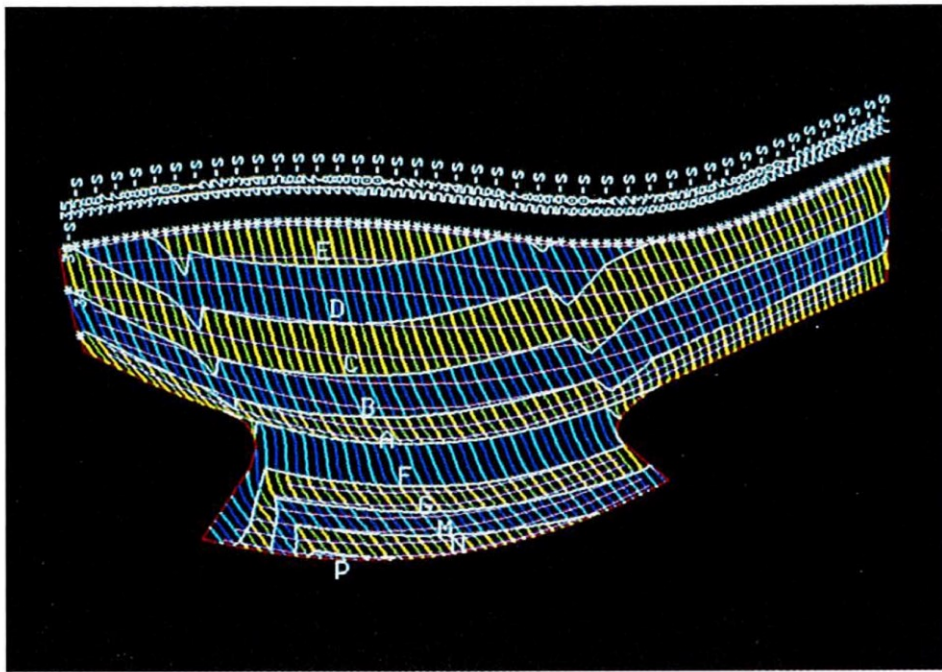
Prompt: Zaha Hadid

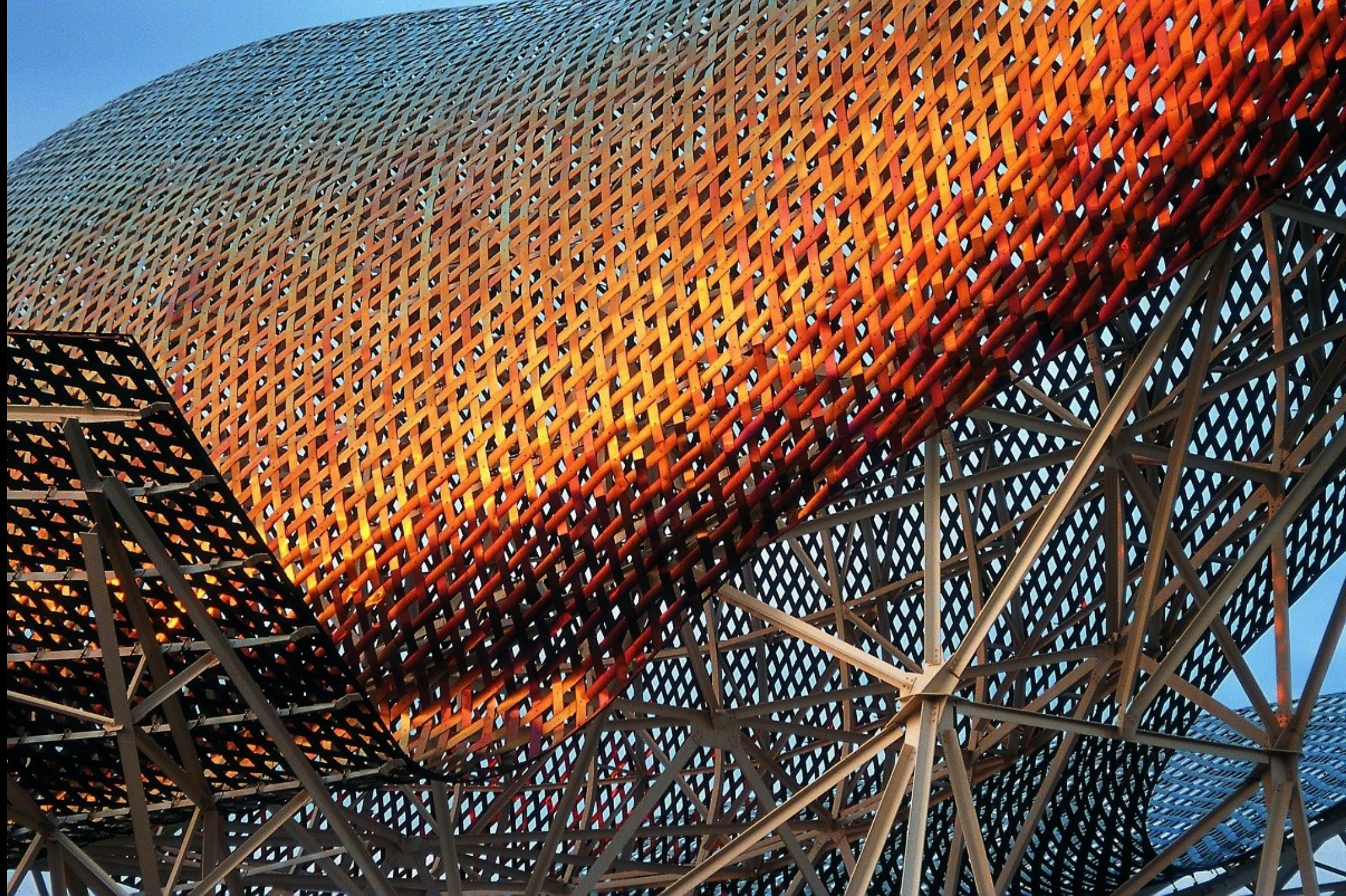


Prompt: OMA



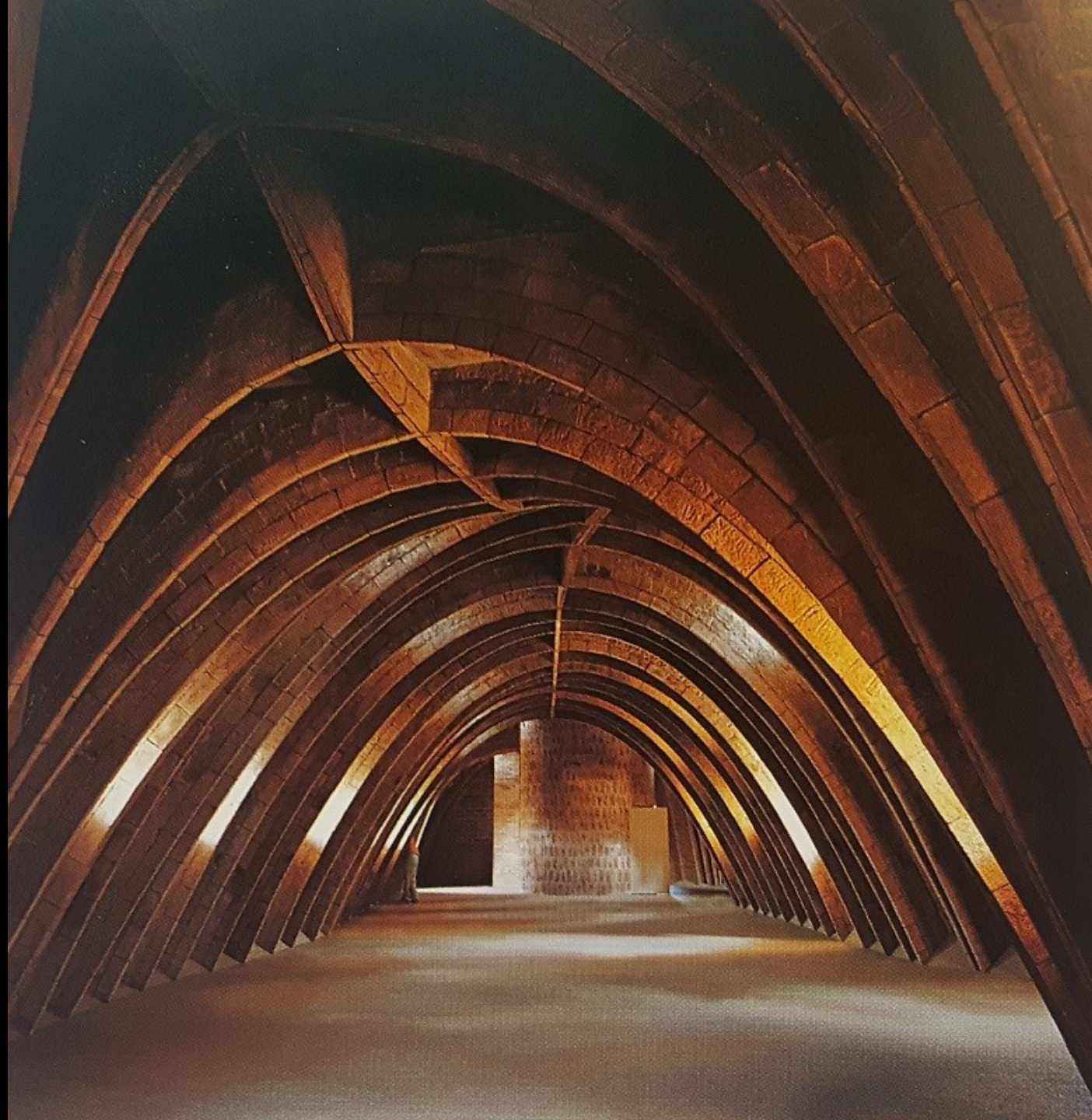
Prompt: Frank Gehry









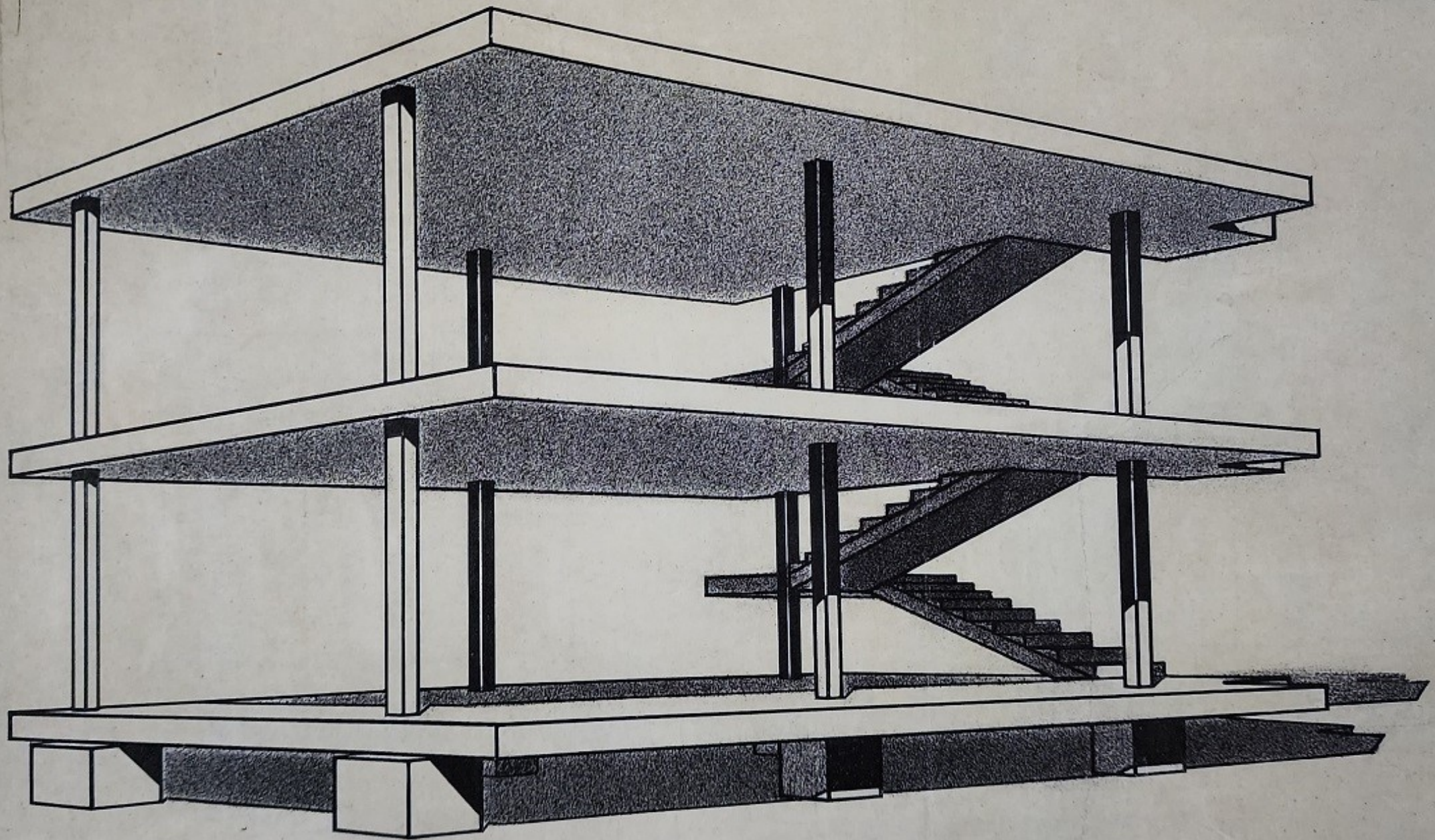








6/2 x 41









VEGETABLE PREPARING TABLE

Paring directly or scraping dishes into pail underneath saves soiling any surface. Note knives, parers, graters, etc., directly above working surface. (The opening as shown is too large; should be about eight inches.)

A dark, atmospheric movie title card for Francis Ford Coppola's 'Megalopolis'. The background is a dimly lit, narrow alleyway between stone buildings. A statue of a woman stands in the center, holding a torch. The scene is moody and cinematic, with a blueish-green color palette.

FRANCIS FORD COPPOLA'S

MEGALOPOLIS











